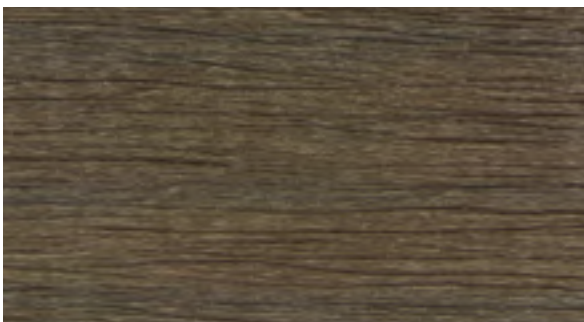





Graphite



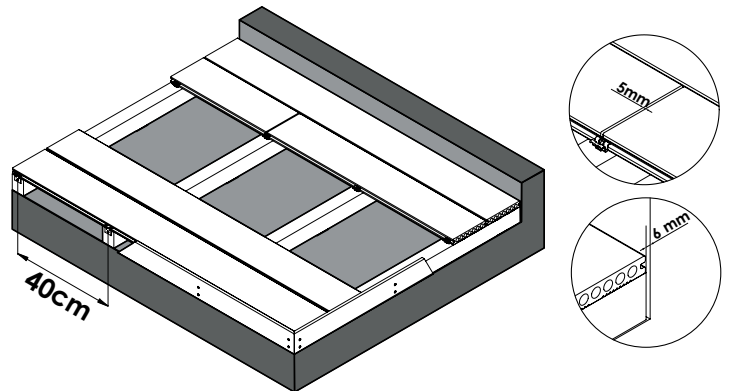
Lunar Grey



Wengé

23 x 138 x 4000 mm 	<b>Graphite</b> Ref. 1125	<b>Lunar Grey</b> Ref. 1126	<b>Wengé</b> Ref. 1127
23 x 210 x 4000 mm 	<b>Graphite</b> Ref. 1128	<b>Lunar Grey</b> Ref. 1129	<b>Wengé</b> Ref. 1130
23 x 138 x 3000 mm 	<b>Graphite</b> Ref. 1131	<b>Lunar Grey</b> Ref. 1132	<b>Wengé</b> Ref. 1133

## Installation



## FIXING : Cobra Hybrid 8-18



90 pcs



1 pcs

Test	Standard / Method	Value
<b>Propriétés physiques</b>		
Linear mass	NF EN 15534-1 NF EN 15534-4	3.46 kg/ml
Brinell Hardness		72 N/mm <sup>2</sup>
Artificial weathering		$\Delta E = 1.65$
<b>Mechanical properties</b>		
Falling mass impact resistance	NF EN 15534-1 + A1	No more than 1 breakage for 10 samples No crack
Bending strength	NF EN 15534-1 + A1 - Annex A EN 15534-4 Section 4.5.2	36.3 Mpa - Span 400 mm
Modulus of elasticity		3.72 Gpa - Span 400 mm
Deflection at 500N		1.23 mm < 2 mm - Span 400 mm
Creep behavior	NF EN 15534-1 + A1	$\Delta S$ (creep) = 4.35 mm
Antislip test	DIN 51130	R10
<b>Thermal properties</b>		
Linear thermal expansion	NF EN 15534-1	34 10 <sup>-6</sup> K <sup>-1</sup>
<b>Durability</b>		
Water absorption (28 days)	NF EN 15534-1	0.28%